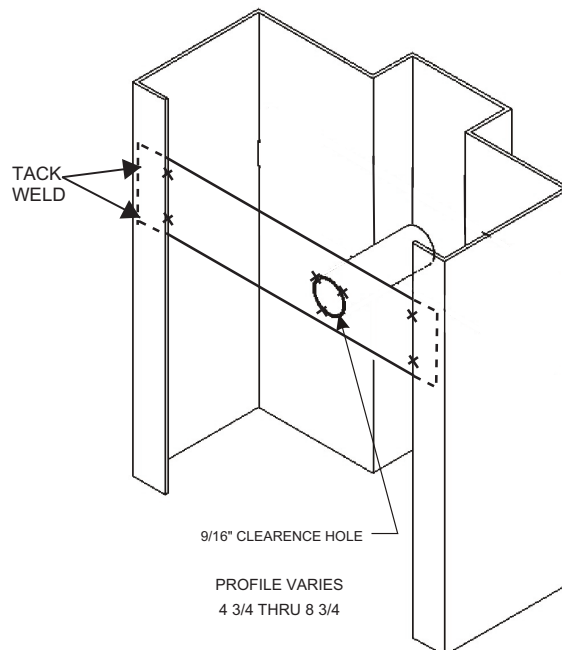
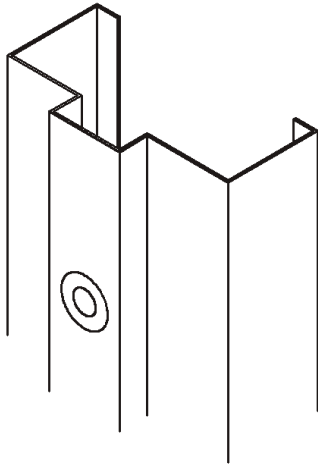


TECHNICAL DATA SHEET

F - 900 - 20
FRAME ANCHOR
FOR EXISTING WALLS

1. COUNTERSUNK FOR 3/8" DIAMETER STEEL EXPANSION SHELL
2. FACTORY INSTALLED OR DISTRIBUTOR INSTALLED
(ANCHOR BOLT PROVIDED BY OTHERS)



ANCHORS LOCATED NO
MORE THAN 6 INCHES
FROM THE TOP AND
BOTTOM WITH
INTERMEDIATE SPACING
NOT TO EXCEED 26 INCHES
ON CENTER FOR UL
APPROVAL

Issue Date: January 2006

REVISED : 02/01/2009

